



ASSEMBLY DATA SHEET

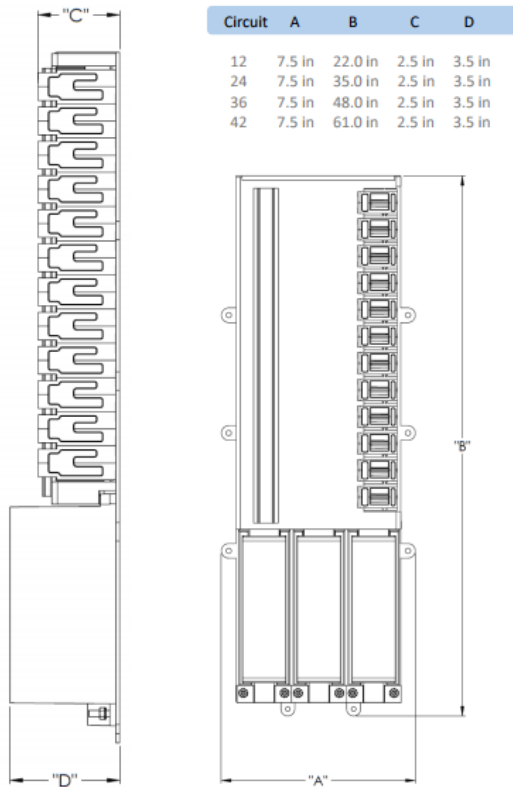
SINGLE & DOUBLE SIDED INTERIOR

Certification UL67, UL508, CSA22.2
 Ampacity 150A, 225A
 Voltage 120/240/277/480/600VAC, 24VDC
 Interrupting 10kA

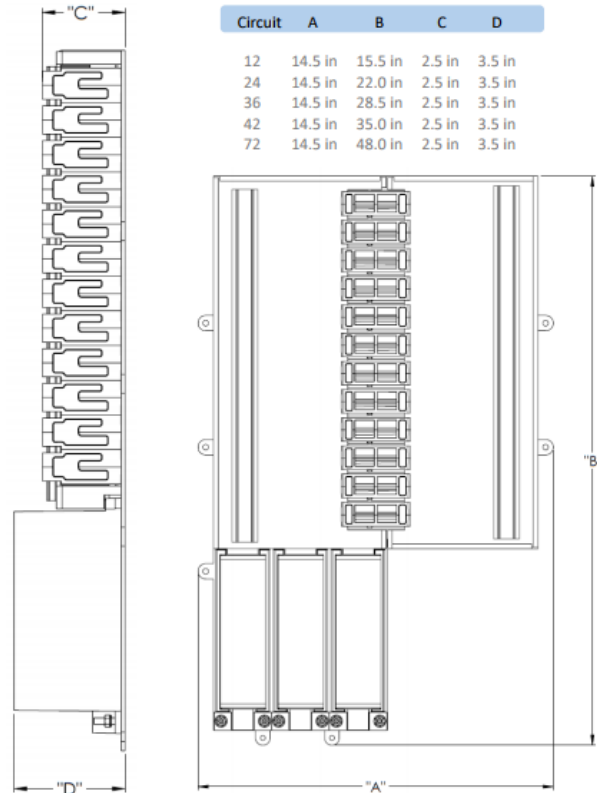


Branch Configuration Single or Double Column
 Circuits 1 2, 24, 36, 42, 72

Single Sided



Double Sided





ASSEMBLY DATA SHEET

SINGLE & DOUBLE SIDED ENCLOSED

Certification UL67, UL508, CSA22.2
Ampacity 150A, 225A
Voltage 120/240/277/480/600VAC, 24VDC
Interrupting 10kA



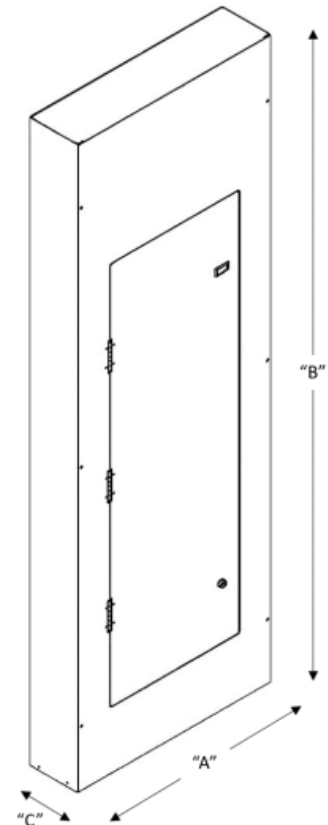
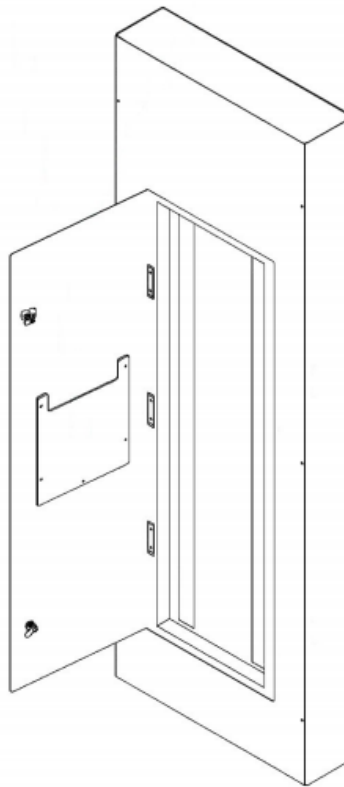
Branch Configuration Single or Double Column
Circuits 1 2, 24, 36, 42, 72

Single Sided

Circuit	A	B	C
12	17.0 in	38.5 in	6.0 in
24	17.0 in	51.5 in	6.0 in
36	17.0 in	64.5 in	6.0 in
42	17.0 in	77.5 in	6.0 in

Double Sided

Circuit	A	B	C
12	24.0 in	32.0 in	6.0 in
24	24.0 in	38.5 in	6.0 in
36	24.0 in	45.0 in	6.0 in
42	24.0 in	51.5 in	6.0 in
72	24.0 in	64.5 in	6.0 in



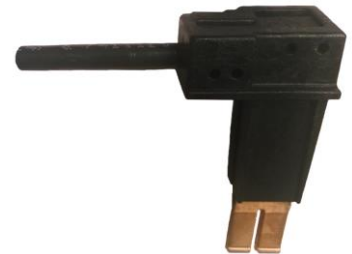
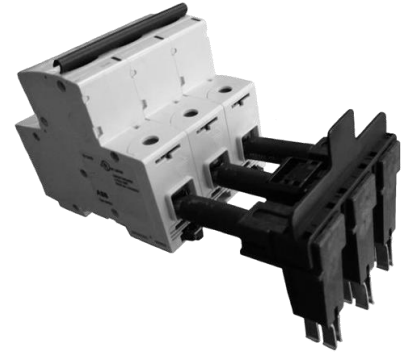


COMPONENT DATA SHEET

JSC32A, JSC63A, JSC100A JSC32AL, JSC63AL, JSC100AL SPRING CONNECTOR

Device to connect power from main bus to branch circuit electrical device.

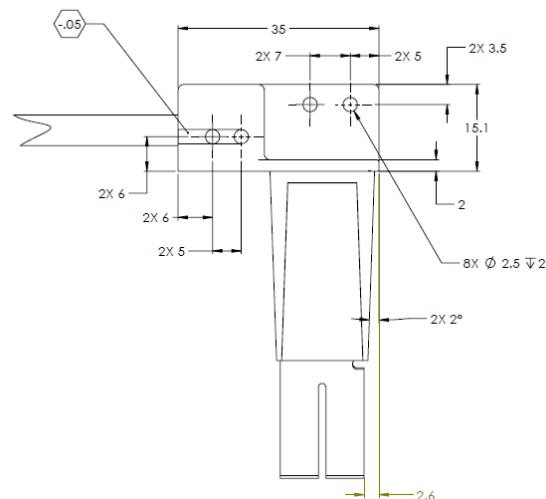
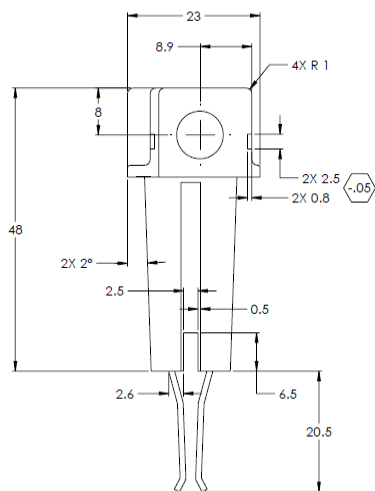
Certification	UL67, UL508, CSA22.2
Ampacity	32A, 63A, 100A
Voltage	120/240/277/480/600VAC, 24VDC
Operations	10,000



Notes:

JSC32A, JSC63A, JSC100A have wire lengths of six inches front to back.

JSC32AL, JSC63AL, JSC100AL have wire lengths of eight inches front to back.



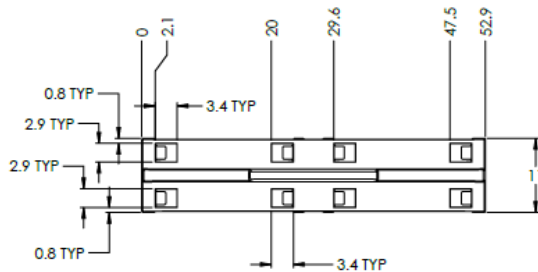
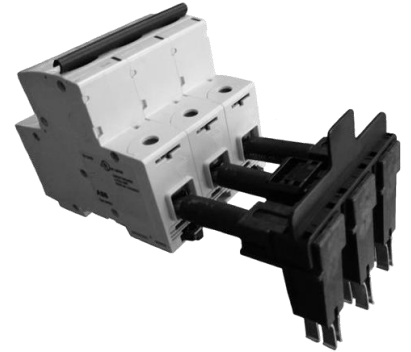


COMPONENT DATA SHEET

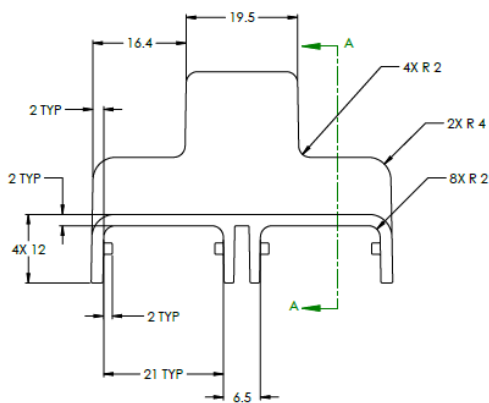
JSCJ2P, JSCJ3P SPRING CONNECTOR JOINER

Device to connect multiple spring connectors together to make 2 pole and 3 pole breaker assemblies.

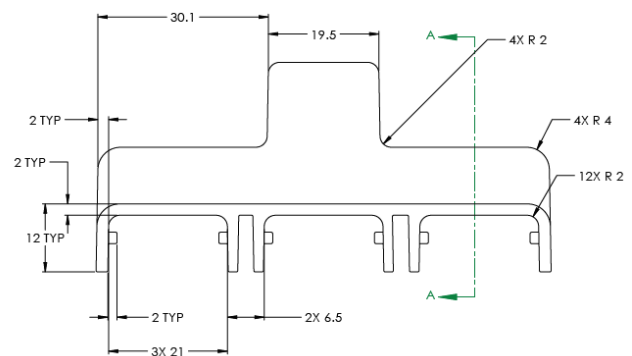
Certification UL67, UL508, CSA22.2
Operations 10,000



2 Pole



3 Pole



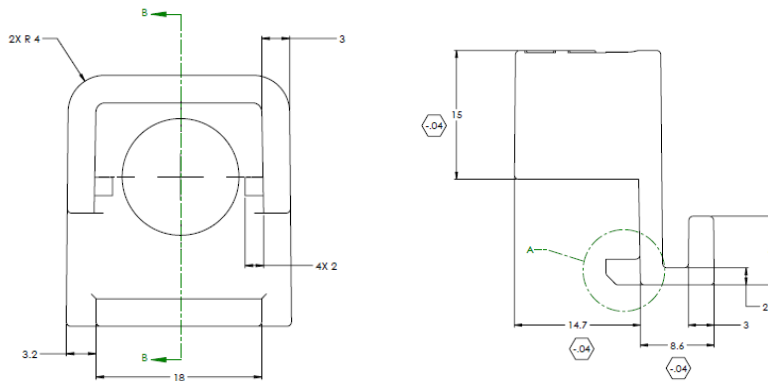


COMPONENT DATA SHEET

JSCC SPRING CONNECTOR CLAMP

Device to secure spring connector clamp assembly to interior.

Certification UL67, UL508, CSA22.2
Operations 10,000





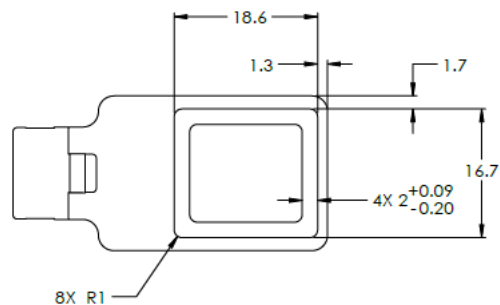
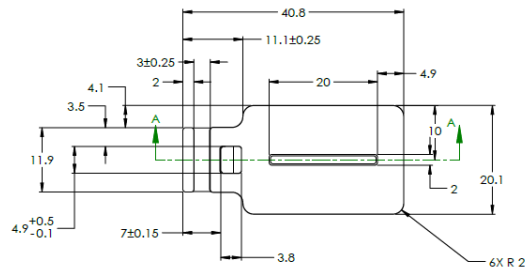
COMPONENT DATA SHEET

JBCPLG BRANCH CIRCUIT PLUG

Plug to fill branch circuit connection wells.



Certification UL67, UL508, CSA22.2
Operations 10,000





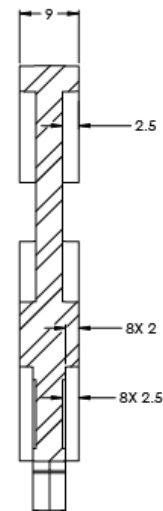
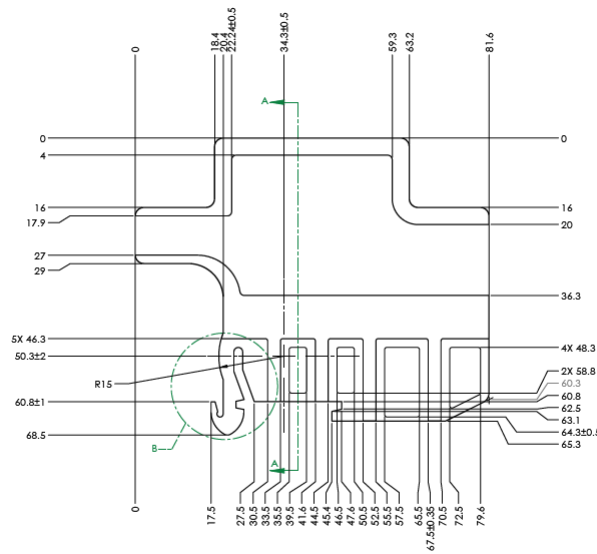
COMPONENT DATA SHEET

JDRSP DIN RAIL BREAKER SPACER

DIN mount device to provide spacing between breakers for product alignment and reduction of breaker de-rating requirements.



Certification UL67, UL508, CSA22.2





COMPONENT DATA SHEET

JMIC

MAIN INCOMING COVER

Cover for main incoming lugs.

Certification UL67, UL508, CSA22.2

